

LED-Arbeitsscheinwerfer Modell 670 XD SmartHeat

Part no. AS-1789-6711



12-24 V, Flood, heated lense

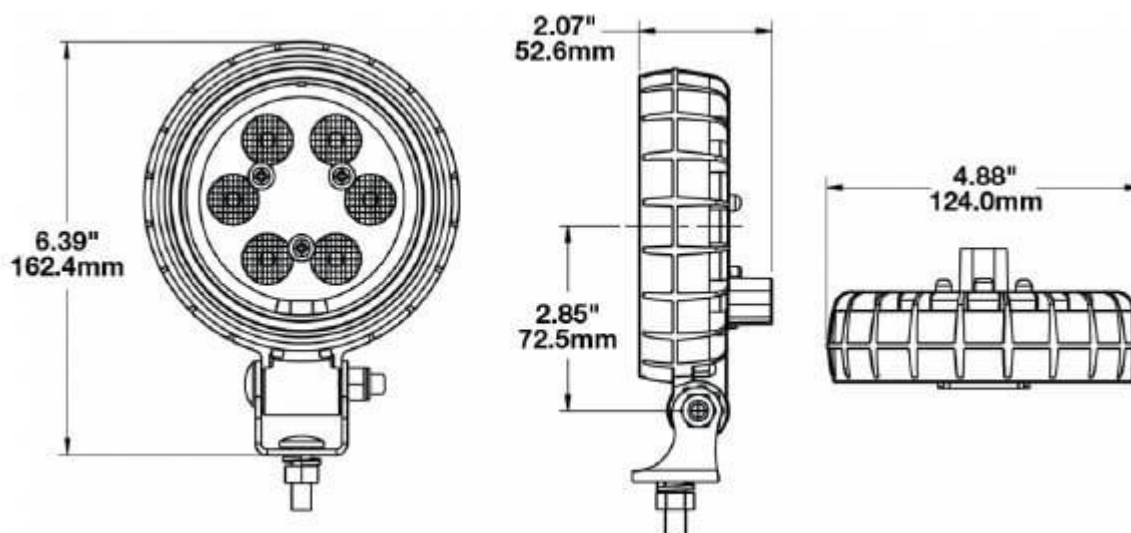
Specifications

Voltage range (V), nominal	12-24
Voltage range (V), functional	10-30
Power consumption (W)	15,6-14,4 / 25,2-26,4 (ohne/mit Heizung)
Load capacity	
Temperature range (°C)	-40 bis 65
Brightness	
Brightness (raw lm)	1080
Brightness (effective lm)	780
Brightness (cd)	
Brightness (lx)	
Performance class	bis 1000 lm eff.
Beam pattern/lens	
Beam angle [°]	
Colour Temperature (K)	5000
Others	
Ingress protection	IP69K
Resistivity	

LED-Arbeitsscheinwerfer Modell 670 XD SmartHeat

Part no. AS-1789-67110

Dimensions



Mounting

Mounting type	Universalhalterung, 5/16"-18x1"
Installation dimensions/diameter [mm]	
Installation depth [mm]	
Connector	Deutsch-Stecker (DT04-2P)
Mating connector	Deutsch-Stecker (DT06-2S)
Reverse polarity protection	1

LED-Arbeitsscheinwerfer Modell 670 XD SmartHeat

Part no. AS-1789-67110

Others

Material (Housing)	Polycarbonat
Material (Diffusing lens)	Polycarbonat
Color (Housing)	Schwarz
Color (Mount)	
Color (Diffusing lens)	Klar

Variants

AS-1789-67110	12-24 V, Geländeausleuchtung, beheizte Linse
AS-1790-67130	12-24 V, Spot, beheizte Linse

Accessories