

Part no. AS-1752-71141



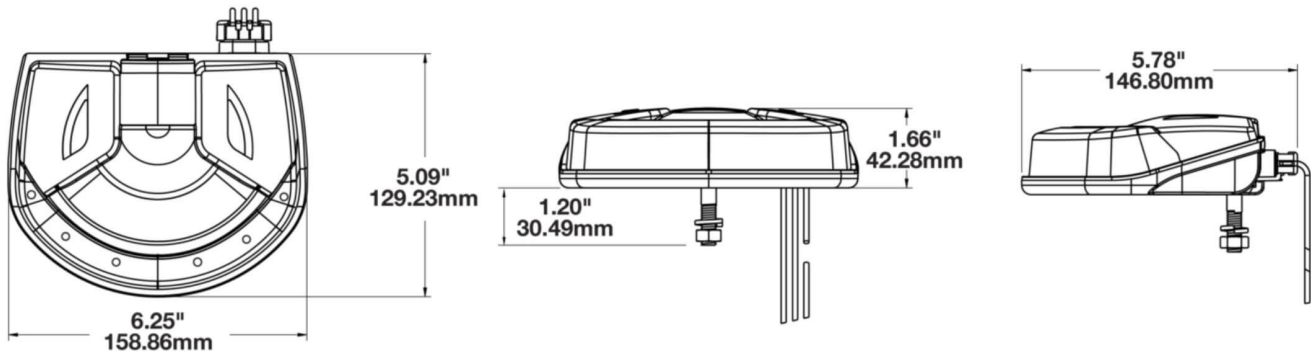
12-110 V, 1600/780 lm, Dual Beam, Delphi MP

Specifications

Voltage range (V), nominal	12-110
Voltage range (V), functional	9-110
Power consumption (W)	18.48-22 (3 LEDs), 19.8-25.3 (6 LEDs)
Load capacity	
Temperature range (°C)	
Brightness	
Brightness (raw lm)	1630 / 2000 (3/6 LEDs)
Brightness (effective lm)	780 / 1600 (3/6 LEDs)
Brightness (cd)	
Brightness (lx)	
Performance class	1000 to 3000 lm eff.
Beam pattern/lens	Spez. Hubmast-Lichtbild / 160° Ausleuchtung
Beam angle [°]	
Colour Temperature (K)	
Others	
Ingress protection	IP67
Resistivity	
Standards	UL, SAE (J1113-4, J1113-13, J1113-21), CISPR (12)
Electromagnetic Compatibility	
Transient spike protection	330 V @ 1 Hz-100 pulses

Part no. **AS-1752-71141**

Dimensions



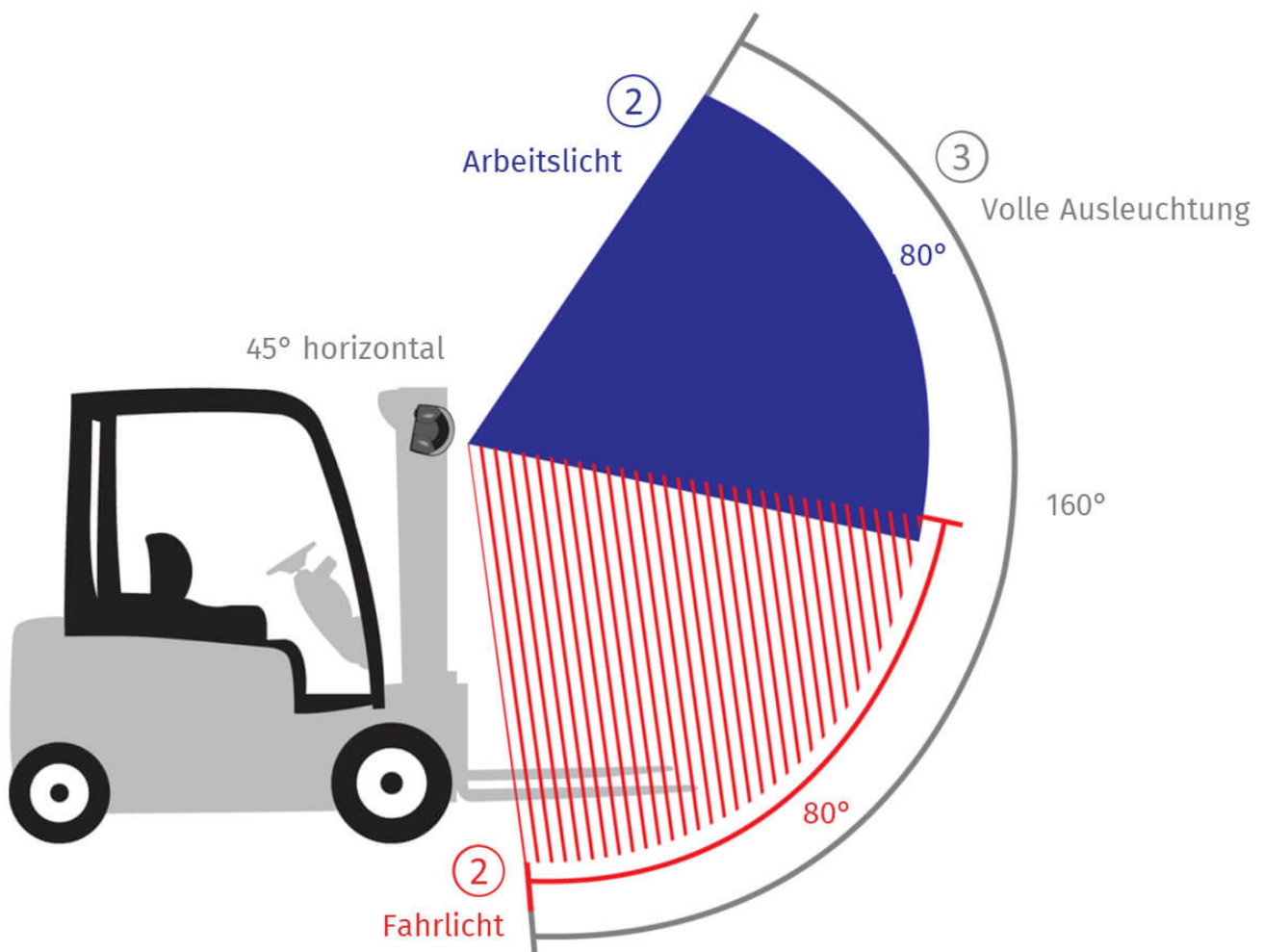
Mounting

Mounting type	Spec. mounting bracket/Click-Bond
Installation dimensions/diameter [mm]	
Installation depth [mm]	
Connector	Delphi MP150-3M (12129615)
Mating connector	Delphi MP150-3F (12110293)
Reverse polarity protection	1
Black wire	Masse
Red wire	Arbeitsscheinwerfer 2
White wire	Arbeitsscheinwerfer 1

Others

Material (Housing)	Polycarbonat
Material (Diffusing lens)	Polycarbonat
Color (Housing)	Schwarz
Color (Mount)	
Color (Diffusing lens)	Klar

Beam pattern



Variants

AS-1752-71141

12-110V, 1600/780 Lumen, Dual-Beam, Delphi MP

CB-906-42010	Kleber CB420 10 ml, mit Misch-Kanüle
CB-902-20002	Kleber CB200 3,5 g, Kit
CB-102-12582	Stehbolzen CS125 M8x35mm, 31,8mm Durchmesser, Edelstahl
CB-201-20081	Stehbolzenmutter CN125 M6x25mm, 31,8mm Durchmesser, Edelstahl