

Part no. AS-1659-61141

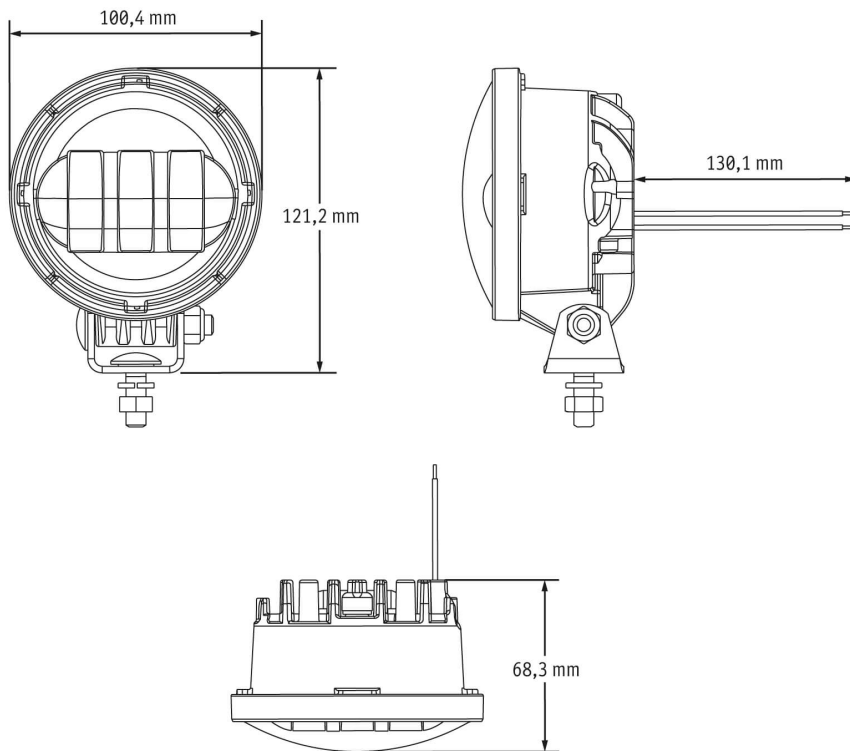


12-110 V, Anti-Glare/low beam. black bezel

Specifications

Voltage range (V), nominal	12-110
Voltage range (V), functional	
Power consumption (W)	21,6-30,8
Load capacity	
Temperature range (°C)	
Brightness	
Brightness (raw lm)	1470
Brightness (effective lm)	318
Brightness (cd)	3454
Brightness (lx)	
Brightness (reference index)	
Performance class	bis 1000 lm eff.
Beam pattern/lens	Anti-Glare
Beam angle [°]	
Colour Temperature (K)	
Others	
Ingress protection	
Resistivity	
Standards	UL
Electromagnetic Compatibility	ECE (Reg. 10)
Transient spike protection	

Dimensions



Mounting

Mounting type	Universalhalterung, M8-1,25x0,25
Installation dimensions/diameter [mm]	
Installation depth [mm]	
Connector	Kabel
Mating connector	
Reverse polarity protection	1
Black wire	Masse
Red wire	Arbeitsscheinwerfer

Part no. AS-1659-61141

Others

Material (Housing)	Aluminium
Material (Diffusing lens)	Polycarbonat
Color (Housing)	Schwarz
Color (Mount)	Schwarz
Color (Diffusing lens)	Klar

Beam pattern

Variants

AS-1659-61141	12-110 V, Anti-Glare/Abblendlicht, schwarze Einfassung
---------------	--------------------------------------------------------

Accessories