

LED-Arbeitsscheinwerfer Modell 523

Part no. AS-1529-52111



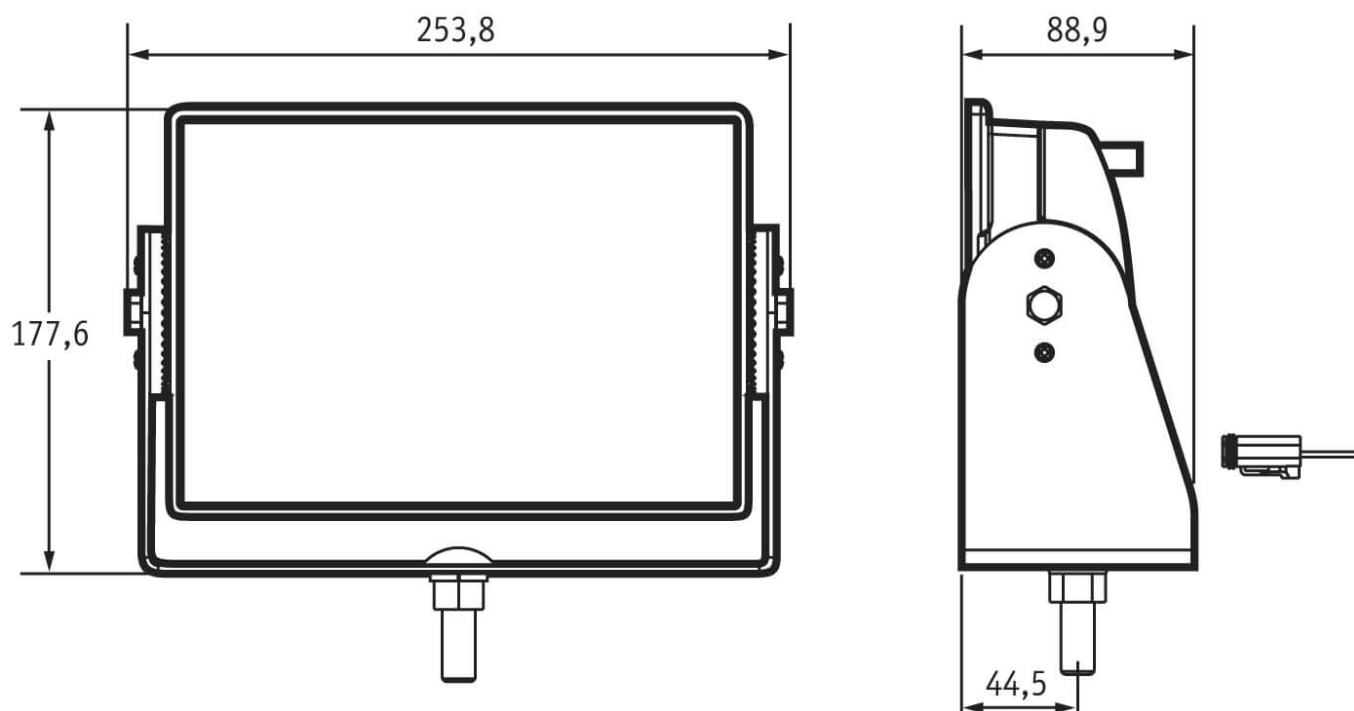
12-24 V, 3.900 lm, wide flood

Specifications

Voltage range (V), nominal	12-24
Voltage range (V), functional	
Power consumption (W)	80,4-88,8
Load capacity	
Temperature range (°C)	-40 bis 65
Brightness	
Brightness (raw lm)	8100
Brightness (effective lm)	3900
Brightness (cd)	
Brightness (lx)	
Performance class	über 3000 lm eff.
Beam pattern/lens	Breite Geländeausleuchtung
Beam angle [°]	
Colour Temperature (K)	5000
Others	
Ingress protection	IP67
Resistivity	

Part no. AS-1529-52111

Dimensions



Mounting

Mounting type	Universalhalterung, 1/2"
Installation dimensions/diameter [mm]	
Installation depth [mm]	
Connector	Deutsch-Stecker (DT04-2P)
Mating connector	Deutsch-Stecker (DT06-2S)
Reverse polarity protection	1

Part no. AS-1529-52111

Others

Material (Housing)	Aluminium
Material (Diffusing lens)	Glas
Color (Housing)	Schwarz
Color (Mount)	Schwarz
Color (Diffusing lens)	Klar

Variants

AS-1529-52111	12-24 V, 3900 lm, breite Geländeausleuchtung
AS-1530-52121	12-24 V, 3900 lm, mittlere Geländeausleuchtung
AS-1531-52131	12-24 V, 3900 lm, enge Geländeausleuchtung

Accessories