

LED-Arbeitsscheinwerfer Modell 7150 Mk III

Part no. AS-1498-71121



12-24 V, 3,300 lm, trap

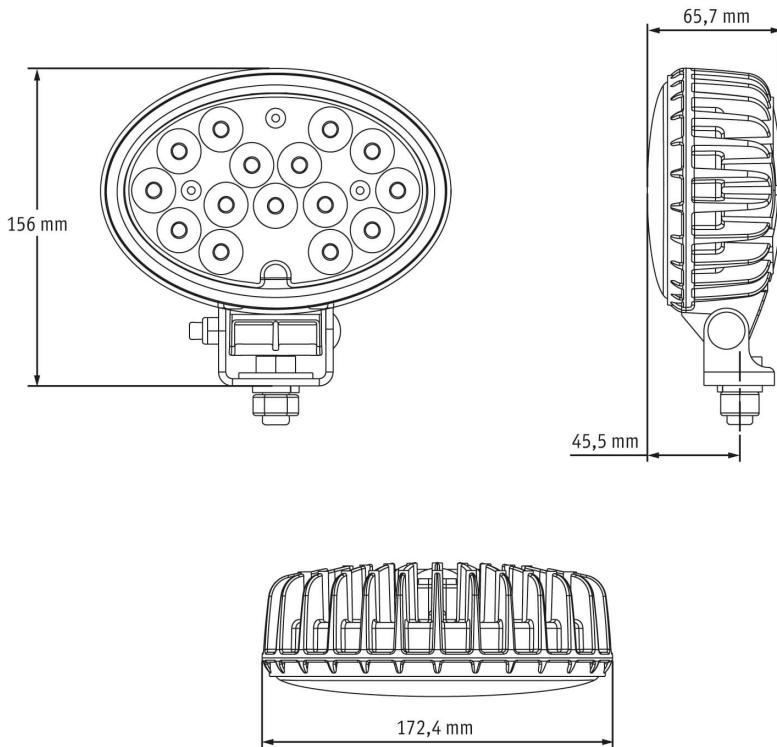
Specifications

Voltage range (V), nominal	12-24
Voltage range (V), functional	10-32
Power consumption (W)	78-84
Load capacity	
Temperature range (°C)	-40 bis 65
Brightness	
Brightness (raw lm)	
Brightness (effective lm)	3300
Brightness (cd)	
Brightness (lx)	
Performance class	über 3000 lm eff.
Beam pattern/lens	Nahfeldausleuchtung
Beam angle [°]	
Colour Temperature (K)	5000
Others	
Ingress protection	IP69K
Resistivity	
Standards	SAE (J575, J1455), UL 583
Electromagnetic Compatibility	SAE (J1113)
Transient spike protection	150 V @ 1 Hz-100 Pulse

LED-Arbeitscheinwerfer Modell 7150 Mk III

Part no. AS-1498-71121

Dimensions



Mounting

Mounting type	Universalhalterung, 1/2"
Installation dimensions/diameter [mm]	
Installation depth [mm]	
Connector	Deutsch-Stecker (DT04-2P)
Mating connector	Deutsch-Stecker (DT06-2S)
Reverse polarity protection	1
Black wire	Masse
Red wire	Arbeitscheinwerfer

LED-Arbeitsscheinwerfer Modell 7150 Mk III

Part no. AS-1498-71121

Others

Material (Housing)	Aluminium
Material (Diffusing lens)	Polycarbonat
Color (Housing)	Schwarz
Color (Mount)	
Color (Diffusing lens)	Weiß

Beam pattern

Variants

AS-1498-71121	12-24 V, 3300 lm, Nahfeldausleuchtung
---------------	---------------------------------------

Accessories