

LED-Arbeitsscheinwerfer Modell 832 Mk II

Part no. AS-1450-8211



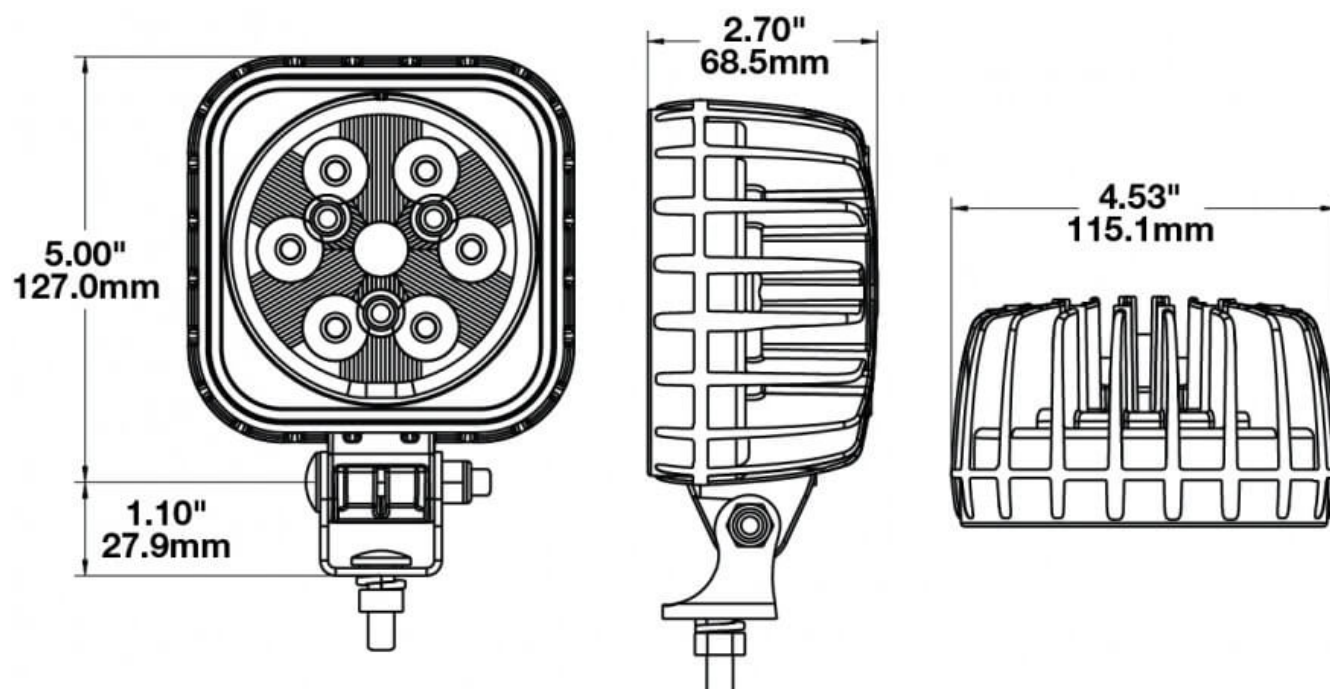
12-24 V, 2,400 lm, flood

Specifications

Voltage range (V), nominal	12-24
Voltage range (V), functional	10-32
Power consumption (W)	42
Load capacity	
Temperature range (°C)	-40 bis 65
Brightness	
Brightness (raw lm)	
Brightness (effective lm)	2400
Brightness (cd)	
Brightness (lx)	
Performance class	1000 bis 3000 lm eff.
Beam pattern/lens	Geländeausleuchtung
Beam angle [°]	
Colour Temperature (K)	5000
Others	
Ingress protection	IP69K
Resistivity	

Part no. AS-1450-82110

Dimensions



Mounting

Mounting type	Universalhalterung
Installation dimensions/diameter [mm]	
Installation depth [mm]	
Connector	Deutsch-Stecker (DT04-2P)
Mating connector	Deutsch-Stecker (DT06-2S)
Reverse polarity protection	1
Black wire	Masse
Red wire	Arbeitsscheinwerfer

LED-Arbeitsscheinwerfer Modell 832 Mk II

Part no. AS-1450-82110

Others

Material (Housing)	Aluminium
Material (Diffusing lens)	Polycarbonat
Color (Housing)	Schwarz
Color (Mount)	
Color (Diffusing lens)	Weiß

Variants

AS-1450-82110	12-24 V, 2400 lm, Geländeausleuchtung
AS-1451-82120	12-24 V, 2400 lm, Nahfeldausleuchtung

Accessories