

Part no. AS-1442-52131



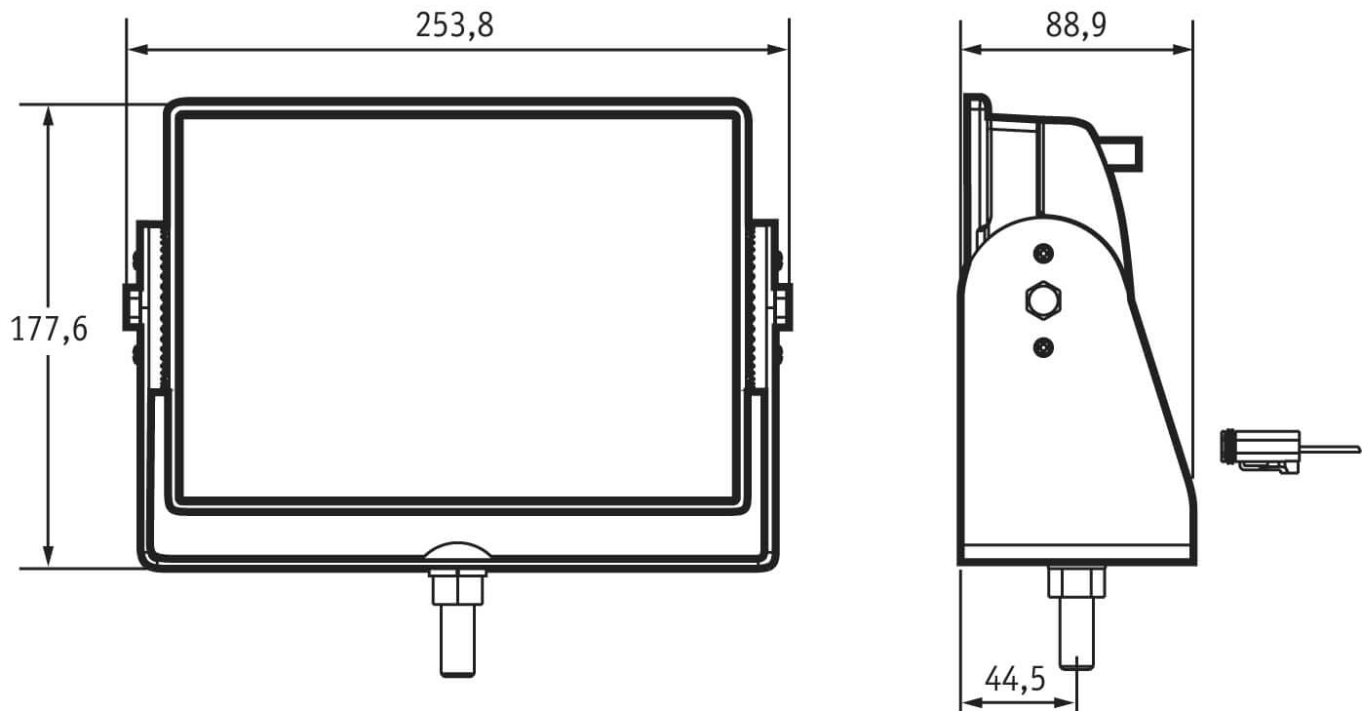
24 V, blue spot, black housing

Specifications

Voltage range (V), nominal	24
Voltage range (V), functional	20-32
Power consumption (W)	103.2
Load capacity	
Temperature range (°C)	-40 to 65
Brightness	
Brightness (raw lm)	
Brightness (effective lm)	864
Brightness (cd)	42300
Brightness (lx)	
Performance class	up to 1000 lm eff.
Beam pattern/lens	Warnzone, Punkt
Beam angle [°]	
Colour Temperature (K)	
Others	
Ingress protection	IP67
Resistivity	

Part no. AS-1442-52131

Dimensions



Mounting

Mounting type	Universal mount, 1/2"
Installation dimensions/diameter [mm]	
Installation depth [mm]	
Connector	Deutsch plug (DT04-2P)
Mating connector	Deutsch plug (DT06-2S)
Reverse polarity protection	1
Black wire	Masse
Red wire	Punktscheinwerfer

Part no. AS-1442-52131

Others

Material (Housing)	Aluminium
Material (Diffusing lens)	Glas
Color (Housing)	Schwarz
Color (Mount)	
Color (Diffusing lens)	Klar

Variants

AS-1442-52131	24 V, blauer Punkt, schwarzes Gehäuse
AS-1594-52132	24 V, roter Punkt, schwarzes Gehäuse

Accessories