

# LED-Arbeitsscheinwerfer Modell 670 XD C

**Part no. AS-1440-67142**

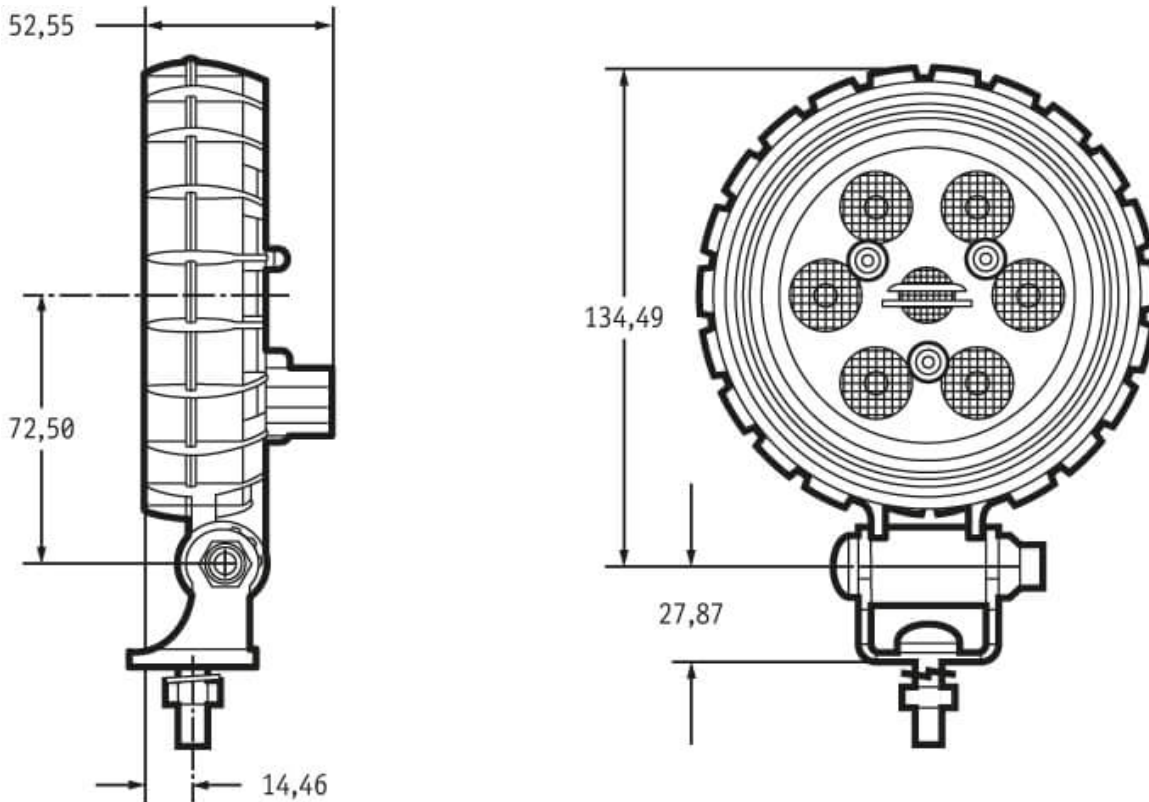


12-24 V, blue

## Specifications

<b>Voltage range (V), nominal</b>	12-24
<b>Voltage range (V), functional</b>	10-30
<b>Power consumption (W)</b>	15,6-14,4
<b>Load capacity</b>	1,3A @ 12V, 0,6A @ 24V
<b>Temperature range (°C)</b>	-40 bis 65
<b>Brightness</b>	
<b>Brightness (raw lm)</b>	1080
<b>Brightness (effective lm)</b>	780
<b>Brightness (cd)</b>	
<b>Brightness (lx)</b>	
<b>Performance class</b>	bis 1000 lm eff.
<b>Beam pattern/lens</b>	Geländeausleuchtung
<b>Beam angle [°]</b>	
<b>Colour Temperature (K)</b>	5000
<b>Others</b>	
<b>Ingress protection</b>	IP69K
<b>Resistivity</b>	

## Dimensions



## Mounting

Mounting type	Universalhalterung, M8-1,25x20
Installation dimensions/diameter [mm]	162,31 x 123,95
Installation depth [mm]	52,58
Connector	Deutsch-Stecker (DT04-2P)
Mating connector	Deutsch-Stecker (DT06-2S)
Reverse polarity protection	1

# LED-Arbeitsscheinwerfer Modell 670 XD C

**Part no. AS-1440-67142**

## Others

<b>Material (Housing)</b>	Polycarbonat
<b>Material (Diffusing lens)</b>	Polycarbonat
<b>Color (Housing)</b>	Schwarz
<b>Color (Mount)</b>	
<b>Color (Diffusing lens)</b>	Blau

## Variants

<b>AS-1439-67141</b>	12-24 V, rot
<b>AS-1440-67142</b>	12-24 V, blau

## Accessories