

# LED-Einbau-Arbeitsscheinwerfer Modell 7251 XD

Part no. **AS-1413-72112**



12-24 V, 1,400 lm, flood

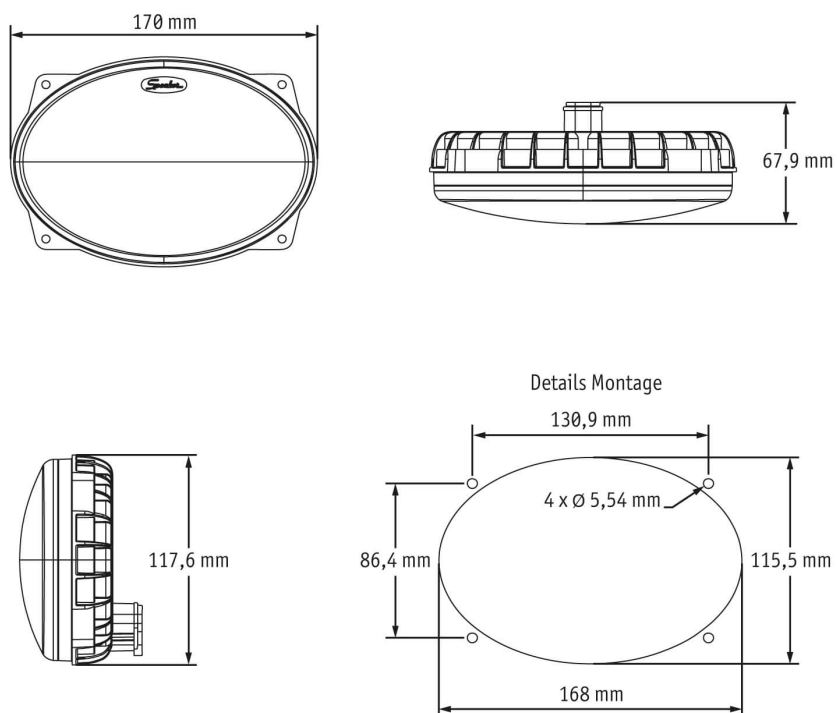
## Specifications

<b>Voltage range (V), nominal</b>	12-24
<b>Voltage range (V), functional</b>	10-32
<b>Power consumption (W)</b>	19,2-21,6
<b>Load capacity</b>	
<b>Temperature range (°C)</b>	-40 bis 65
<b>Brightness</b>	
<b>Brightness (raw lm)</b>	
<b>Brightness (effective lm)</b>	1400
<b>Brightness (cd)</b>	
<b>Brightness (lx)</b>	
<b>Performance class</b>	1000 bis 3000 lm eff.
<b>Beam pattern/lens</b>	Geländeausleuchtung
<b>Beam angle [°]</b>	
<b>Colour Temperature (K)</b>	5000
<b>Others</b>	
<b>Ingress protection</b>	IP69K
<b>Resistivity</b>	

# LED-Einbau-Arbeitsscheinwerfer Modell 7251 XD

Part no. AS-1413-72112

## Dimensions



## Mounting

Mounting type	Einbau
Installation dimensions/diameter [mm]	168x115,5
Installation depth [mm]	
Connector	Deutsch-Stecker (DT04-2P)
Mating connector	Deutsch-Stecker (DT06-2S)
Reverse polarity protection	1

# LED-Einbau-Arbeitsscheinwerfer Modell 7251 XD

Part no. **AS-1413-72112**

## Others

Material (Housing)	Polycarbonat
Material (Diffusing lens)	Polycarbonat
Color (Housing)	Schwarz
Color (Mount)	
Color (Diffusing lens)	

## Variants

AS-1413-72112	12-24 V, 1400 lm, Geländeausleuchtung
AS-1414-72122	12-24 V, 1400 lm, Nahfeldausleuchtung
AS-1415-72132	12-24 V, 1500 lm, Spot

## Accessories