

# LED-Arbeitsscheinwerfer Modell 7250 XD

**Part no. AS-1410-72111**



12-24 V, 1,400 lm, flood

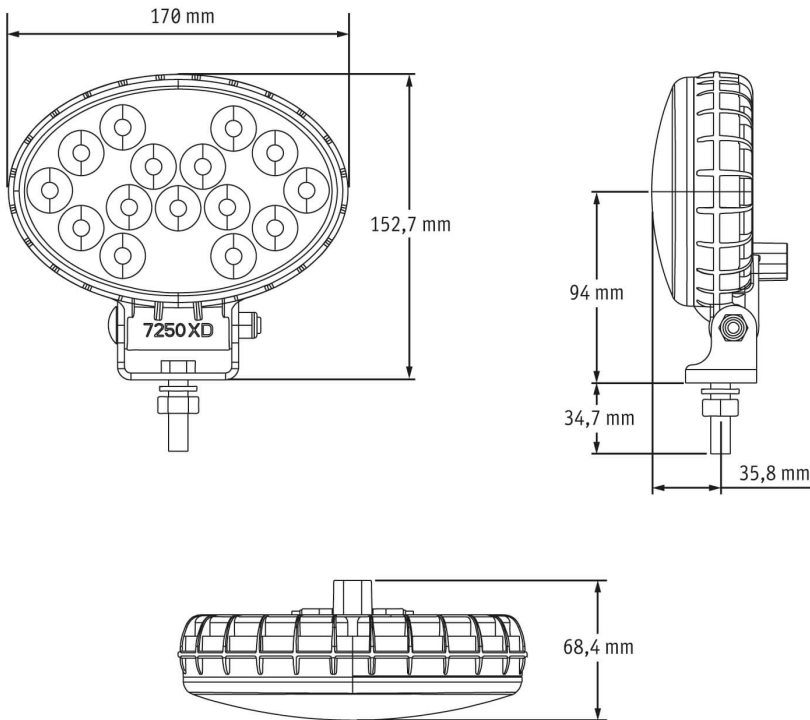
## Specifications

<b>Voltage range (V), nominal</b>	12-24
<b>Voltage range (V), functional</b>	10-32
<b>Power consumption (W)</b>	19.2-21.6
<b>Load capacity</b>	
<b>Temperature range (°C)</b>	-40 to 65
<b>Brightness</b>	
<b>Brightness (raw lm)</b>	
<b>Brightness (effective lm)</b>	1400
<b>Brightness (cd)</b>	
<b>Brightness (lx)</b>	
<b>Performance class</b>	1000 to 3000 lm eff.
<b>Beam pattern/lens</b>	Geländeausleuchtung
<b>Beam angle [°]</b>	
<b>Colour Temperature (K)</b>	5000
<b>Others</b>	
<b>Ingress protection</b>	IP69K
<b>Resistivity</b>	

# LED-Arbeitsscheinwerfer Modell 7250 XD

Part no. AS-1410-72111

## Dimensions



## Mounting

Mounting type	Universal mount, 3/8"-16x1.5"
Installation dimensions/diameter [mm]	
Installation depth [mm]	
Connector	Deutsch plug (DT04-2P)
Mating connector	Deutsch plug (DT06-2S)
Reverse polarity protection	1
Black wire	Masse
Red wire	Arbeitsscheinwerfer

# LED-Arbeitsscheinwerfer Modell 7250 XD

**Part no. AS-1410-72111**

## Others

<b>Material (Housing)</b>	Polycarbonat
<b>Material (Diffusing lens)</b>	Polycarbonat
<b>Color (Housing)</b>	Schwarz
<b>Color (Mount)</b>	
<b>Color (Diffusing lens)</b>	Weiß

## Variants

<b>AS-1410-72111</b>	12-24 V, 1400 lm, Geländeausleuchtung
<b>AS-1411-72121</b>	12-24 V, 1400 lm, Nahfeldausleuchtung
<b>AS-1412-72131</b>	12-24 V, 1500 lm, Spot

## Accessories