

LED-Arbeitsscheinwerfer Modell 660 Mk II

Part no. AS-1373-66111

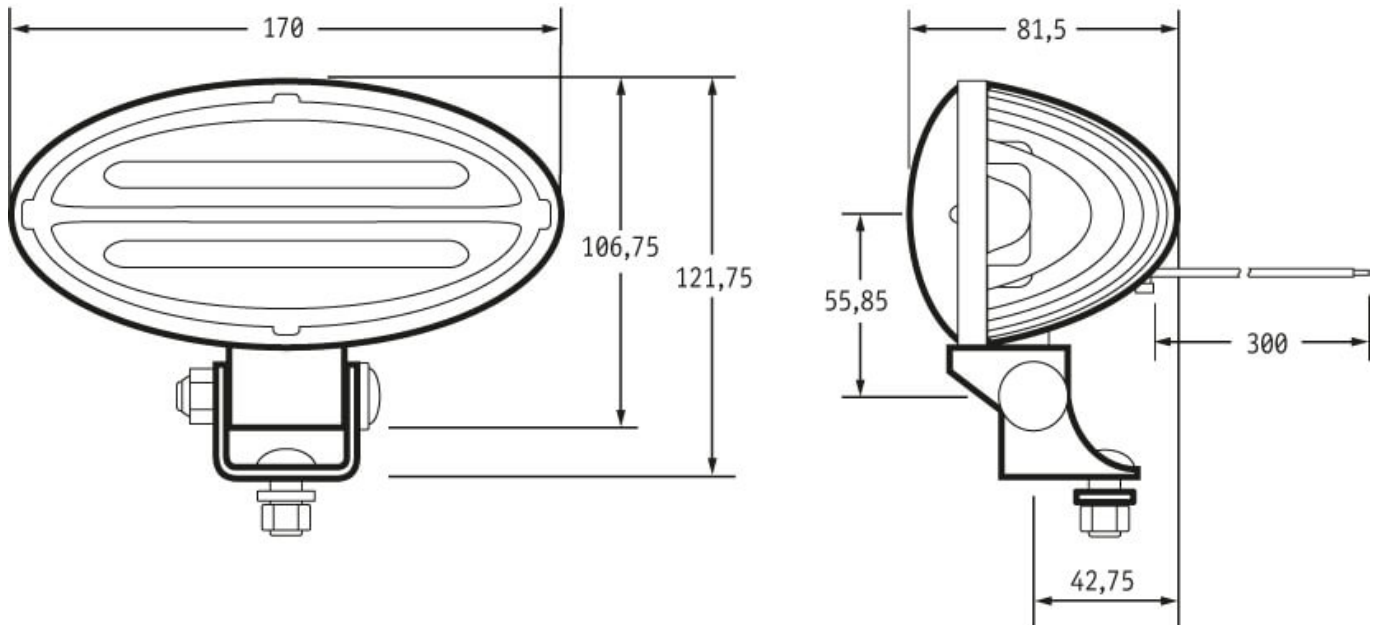


12-24 V (9-24 V), 2200 lm, flood

Specifications

| | |
|--------------------------------------|-------------------------|
| Voltage range (V), nominal | 12-24 |
| Voltage range (V), functional | 9-28 |
| Power consumption (W) | 24 |
| Load capacity | |
| Temperature range (°C) | -40 to 65 |
| Brightness | |
| Brightness (raw lm) | 2750 |
| Brightness (effective lm) | 2200 |
| Brightness (cd) | |
| Brightness (lx) | |
| Performance class | 1000 to 3000 lm eff. |
| Beam pattern/lens | Geländeausleuchtung |
| Beam angle [°] | |
| Colour Temperature (K) | 5000 |
| Others | |
| Ingress protection | IP69K |
| Resistivity | |
| Standards | |
| Electromagnetic Compatibility | |
| Transient spike protection | 150 V @ 1 Hz-100 pulses |

Dimensions



Mounting

| | |
|--|--|
| Mounting type | Universal mount, M8-1.25x20 |
| Installation dimensions/diameter [mm] | |
| Installation depth [mm] | |
| Connector | Delphi MP280-2M (12084167), integrated |
| Mating connector | Delphi MP280-2F (12059183) |
| Reverse polarity protection | 1 |
| Black wire | Masse |
| Red wire | Arbeitsscheinwerfer |

LED-Arbeitsscheinwerfer Modell 660 Mk II

Part no. AS-1373-66111

Others

| | |
|----------------------------------|-----------|
| Material (Housing) | Aluminium |
| Material (Diffusing lens) | Glas |
| Color (Housing) | Schwarz |
| Color (Mount) | Chrom |
| Color (Diffusing lens) | Klar |

Beam pattern

Variants

| | |
|----------------------|--|
| AS-1373-66111 | 12-24 V (9-24 V), 2200 lm, Geländeausleuchtung |
|----------------------|--|

Accessories