

LED-Arbeitsscheinwerfer Modell 6020 Mk II

Part no. AS-1356-60111



12 V, 2130 lm, flood

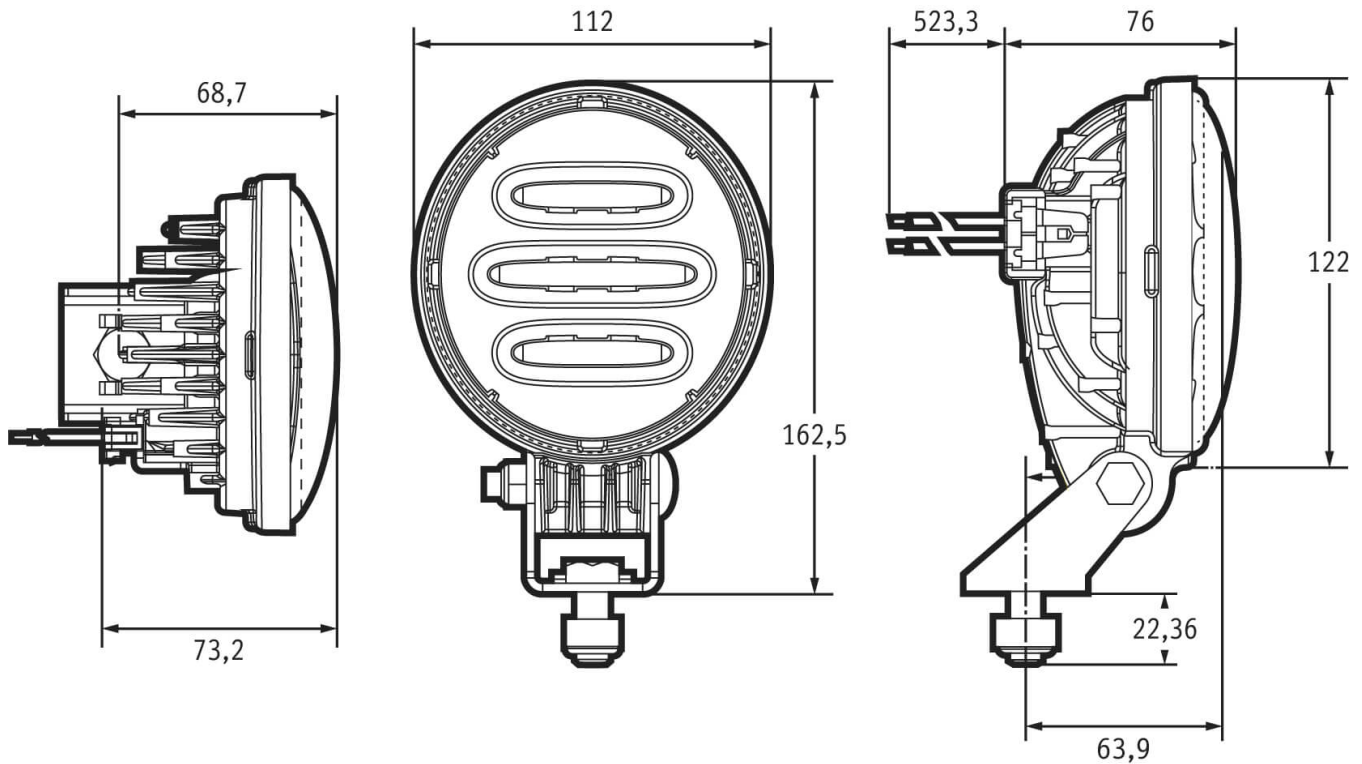
Specifications

Voltage range (V), nominal	12-24
Voltage range (V), functional	9-32
Power consumption (W)	25,68-27,96
Load capacity	
Temperature range (°C)	-40 bis 65
Brightness	
Brightness (raw lm)	
Brightness (effective lm)	2130
Brightness (cd)	
Brightness (lx)	
Performance class	1000 bis 3000 lm eff.
Beam pattern/lens	Geländeausleuchtung
Beam angle [°]	
Colour Temperature (K)	5000
Others	
Ingress protection	IP67
Resistivity	
Standards	
Electromagnetic Compatibility	ECE (Reg. 10)
Transient spike protection	150 V @ 1 Hz-100 Pulse

LED-Arbeitsscheinwerfer Modell 6020 Mk II

Part no. AS-1356-60111

Dimensions



Mounting

Mounting type	Universalhalterung, M12-1,75x41 Hohlsschraube (mit Kabeldurchführung)
Installation dimensions/diameter [mm]	
Installation depth [mm]	
Connector	Delphi MP280-2M (12084167), integriert
Mating connector	Delphi MP280-2F (12059183)
Reverse polarity protection	1
Black wire	Masse
Red wire	Arbeitsscheinwerfer

LED-Arbeitsscheinwerfer Modell 6020 Mk II

Part no. AS-1356-60111

Others

Material (Housing)	Aluminium
Material (Diffusing lens)	Polycarbonat
Color (Housing)	Schwarz
Color (Mount)	Chrom
Color (Diffusing lens)	Klar

Beam pattern

Variants

AS-1356-60111	12 V, 2130 lm, Geländeausleuchtung
---------------	------------------------------------

Accessories