

LED-Einbau-Arbeitsscheinwerfer Modell 8625 XD

Part no. AS-1323-86131

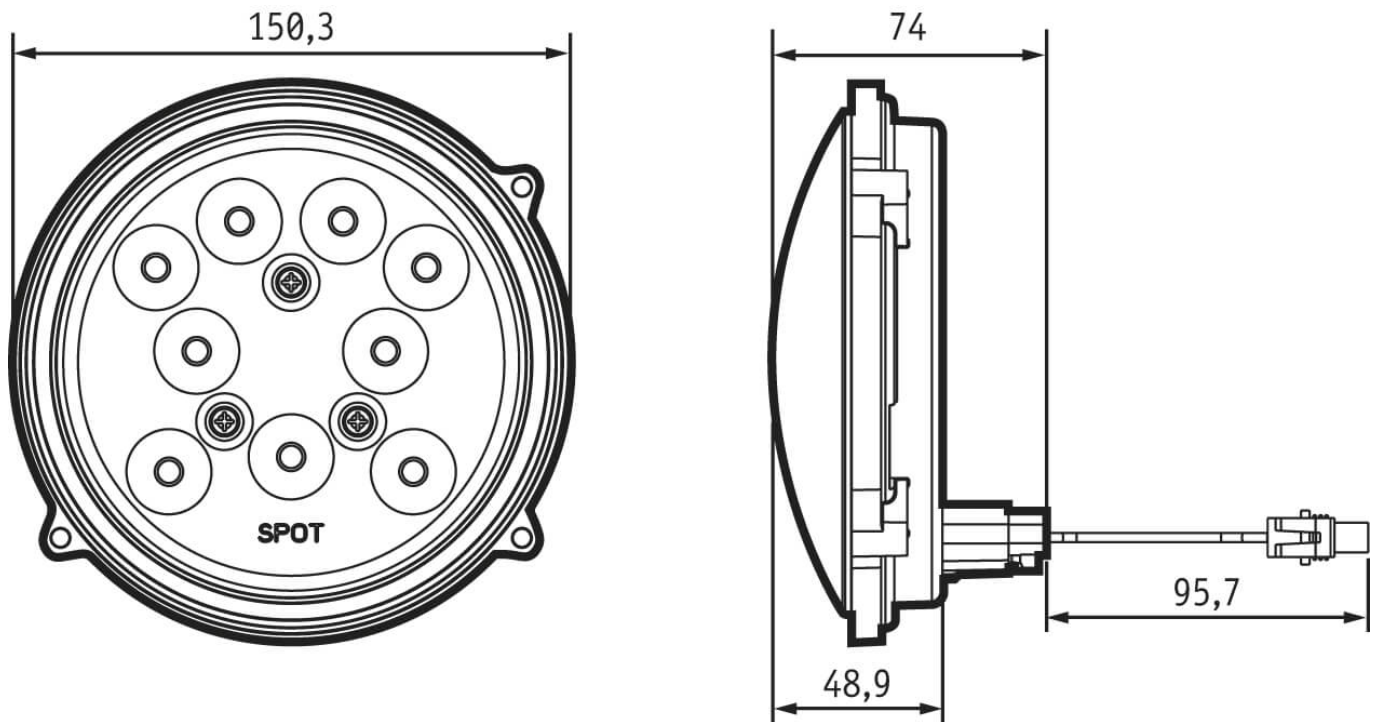


12-24 V, 1060 lm, spot

Specifications

Voltage range (V), nominal	12-24
Voltage range (V), functional	10-33
Power consumption (W)	24
Load capacity	
Temperature range (°C)	-40 bis 65
Brightness	
Brightness (raw lm)	1700
Brightness (effective lm)	1060
Brightness (cd)	
Brightness (lx)	
Performance class	1000 bis 3000 lm eff.
Beam pattern/lens	Spot
Beam angle [°]	ca. 35
Colour Temperature (K)	5000
Others	
Ingress protection	IP69K
Resistivity	
Standards	SAE (J575, J1455)
Electromagnetic Compatibility	ECE (Reg. 10), SAE (J1113)
Transient spike protection	330 V @ 1 Hz-100 Pulse

Dimensions



Mounting

Mounting type	Einbau
Installation dimensions/diameter [mm]	150
Installation depth [mm]	
Connector	Deutsch-Stecker (DT04-2P)
Mating connector	Deutsch-Stecker (DT06-2S)
Reverse polarity protection	1
Black wire	Masse
Red wire	Arbeitsscheinwerfer

LED-Einbau-Arbeitsscheinwerfer Modell 8625 XD

Part no. AS-1323-86131

Others

Material (Housing)	Polycarbonat
Material (Diffusing lens)	Polycarbonat
Color (Housing)	Schwarz
Color (Mount)	
Color (Diffusing lens)	Klar

Beam pattern

Variants

AS-1323-86131	12-24 V, 1060 lm, Spot
---------------	------------------------

Accessories