

LED-'High Power'-Arbeitsscheinwerfer Modell 623

Part no. AS-1065-06232



24-48 V, 20.000 lm, wide flood

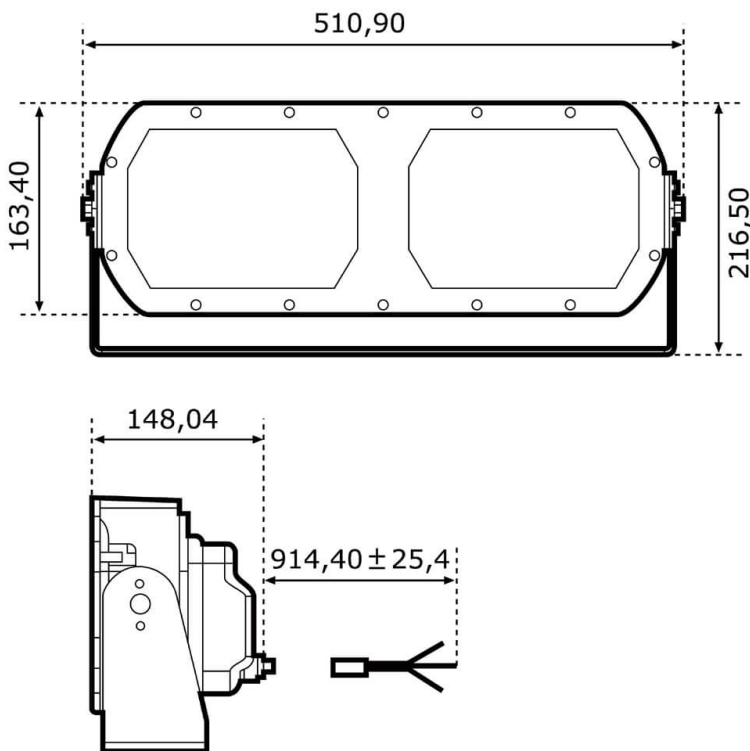
Specifications

Voltage range (V), nominal	24-48
Voltage range (V), functional	16-60
Power consumption (W)	240
Load capacity	
Temperature range (°C)	-40 to 65
Brightness	
Brightness (raw lm)	
Brightness (effective lm)	20000
Brightness (cd)	
Brightness (lx)	
Performance class	more than 3000 lm eff.
Beam pattern/lens	Breite Geländeausleuchtung
Beam angle [°]	
Colour Temperature (K)	5000
Others	
Ingress protection	IP67 & IP69K
Resistivity	

LED-'High Power'-Arbeitsscheinwerfer Modell 623

Part no. AS-1065-06232

Dimensions



Mounting

Mounting type	Universal mount
Installation dimensions/diameter [mm]	
Installation depth [mm]	
Connector	Deutsch plug (DT04-2P)
Mating connector	Deutsch plug (DT06-2S)
Reverse polarity protection	1

LED-'High Power'-Arbeitsscheinwerfer Modell 623

Part no. AS-1065-06232

Others

Material (Housing)	Aluminium
Material (Diffusing lens)	Glas
Color (Housing)	Schwarz
Color (Mount)	
Color (Diffusing lens)	Klar

Variants

Accessories