

Part no. AL-709-40812

12-24 V

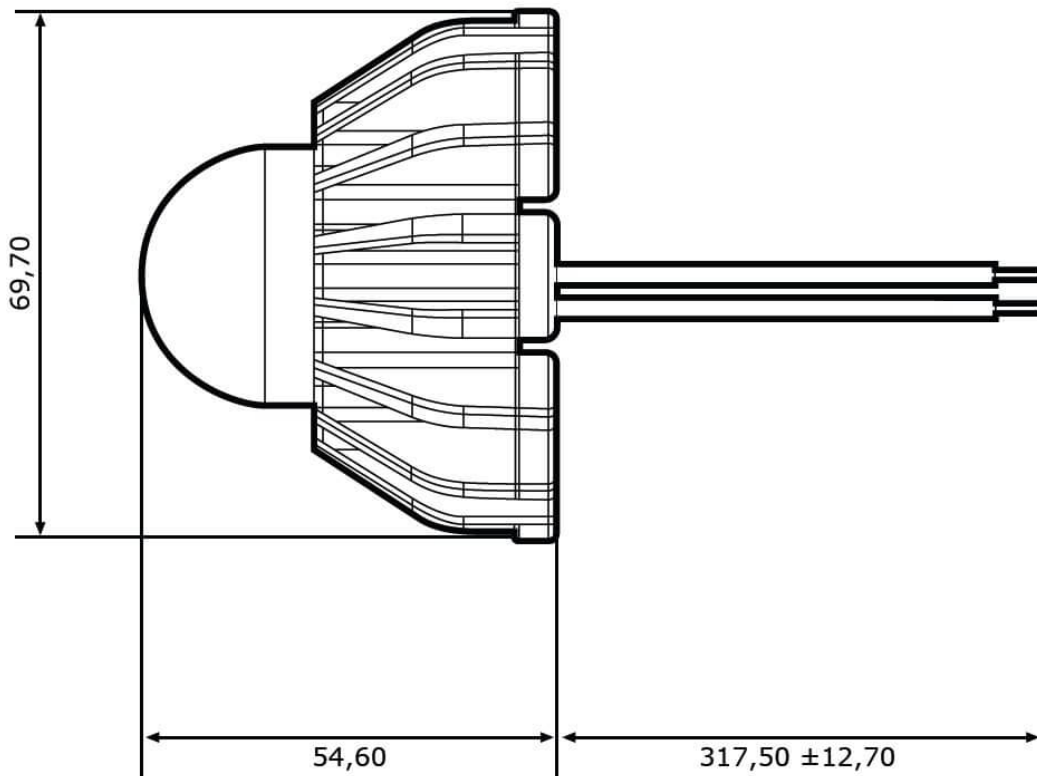


Specifications

Voltage range (V), nominal	12-24
Voltage range (V), functional	
Power consumption (W)	3,48
Load capacity	
Temperature range (°C)	-40 bis 65
Brightness	
Brightness (raw lm)	
Brightness (effective lm)	
Brightness (cd)	
Brightness (lx)	
Performance class	
Beam pattern/lens	
Beam angle [°]	
Colour Temperature (K)	
Others	
Ingress protection	IP67
Resistivity	
Standards	SAE (J575)
Electromagnetic Compatibility	
Transient spike protection	

Part no. AL-709-40812

Dimensions



Mounting

Mounting type	Flachmontage
Installation dimensions/diameter [mm]	
Installation depth [mm]	
Connector	Kabel
Mating connector	
Reverse polarity protection	1
Black wire	Masse
Red wire	Motorraumbeleuchtung

Part no. AL-709-40812

Others

Material (Housing)	Aluminium
Material (Diffusing lens)	Glas
Color (Housing)	Schwarz
Color (Mount)	
Color (Diffusing lens)	Klar

Beam pattern

Variants

AL-709-40812	12-24 V
--------------	---------

Accessories