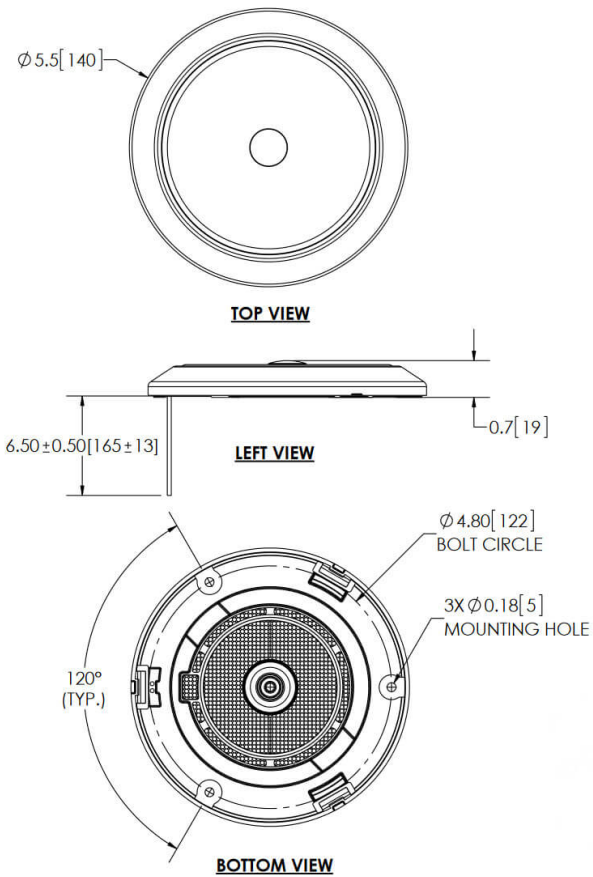


Part no. AL-1896-20211

12-24 V, white, 425 lm, frosted, with switch



Specifications

Voltage range (V), nominal	12-24
Voltage range (V), functional	9-32
Power consumption (W)	4.4
Load capacity	
Temperature range (°C)	-30 to 50
Brightness	
Brightness (raw lm)	413
Brightness (effective lm)	401
Brightness (cd)	
Brightness (lx)	
Performance class	
Beam pattern/lens	
Beam angle [°]	
Colour Temperature (K)	5967
Others	
Ingress protection	IP67
Resistivity	

Standards

Electromagnetic Compatibility

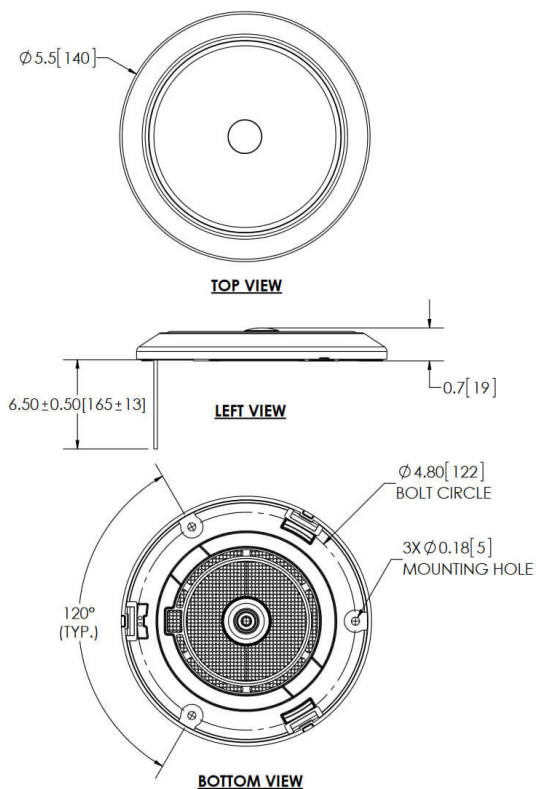
CE

ECE (Reg. 10)

LED Innenleuchten FW0300

Transient spike protection

Dimensions



Mounting

Mounting type	Flat mounting (3 screws), with cable bushing
Installation dimensions/diameter [mm]	140
Installation depth [mm]	
Connector	Bare wire leads
Mating connector	
Reverse polarity protection	1
Black wire	Masse
Red wire	Innenleuchte
Blue wire	Türschalter

Part no. AL-1896-20211

Others

Material (Housing)	
Material (Diffusing lens)	
Color (Housing)	
Color (Mount)	
Color (Diffusing lens)	

Beam pattern

Variants

AL-1896-20211	12-24 V, weiß, 425 lm, Milchglas, mit Schalter
---------------	--

Accessories