

LED-Innenleuchte Modell 411

Part no. AL-1364-41211



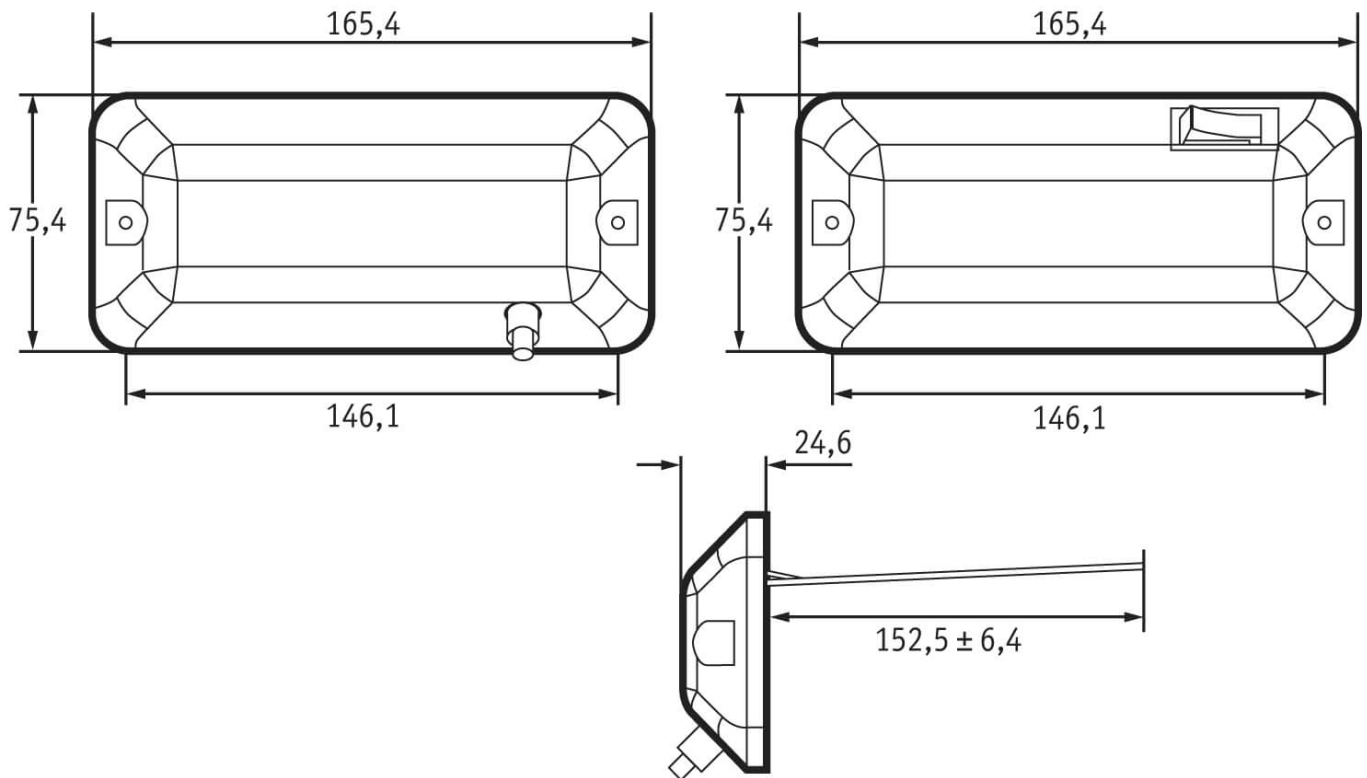
12-24 V, white, with switch ON/OFF

Specifications

Voltage range (V), nominal	12-24
Voltage range (V), functional	9-32
Power consumption (W)	1,68-2,16
Load capacity	
Temperature range (°C)	-40 bis 65
Brightness	
Brightness (raw lm)	
Brightness (effective lm)	
Brightness (cd)	
Brightness (lx)	
Performance class	
Beam pattern/lens	Innenraumbeleuchtung
Beam angle [°]	
Colour Temperature (K)	
Others	
Ingress protection	
Resistivity	

Part no. AL-1364-41211

Dimensions



Mounting

Mounting type	Flachmontage
Installation dimensions/diameter [mm]	
Installation depth [mm]	
Connector	Kabel
Mating connector	
Reverse polarity protection	1
Black wire	Masse
Red wire	Innenleuchte

Part no. AL-1364-41211

Others

Material (Housing)	Polycarbonat
Material (Diffusing lens)	Polycarbonat
Color (Housing)	Schwarz
Color (Mount)	
Color (Diffusing lens)	Weiß

Variants

AL-1259-41112	12-24 V, weiß, mit Schalter AN/AUS/Tür-Kontakt
AL-1364-41211	12-24 V, weiß, mit Schalter AN/AUS

Accessories